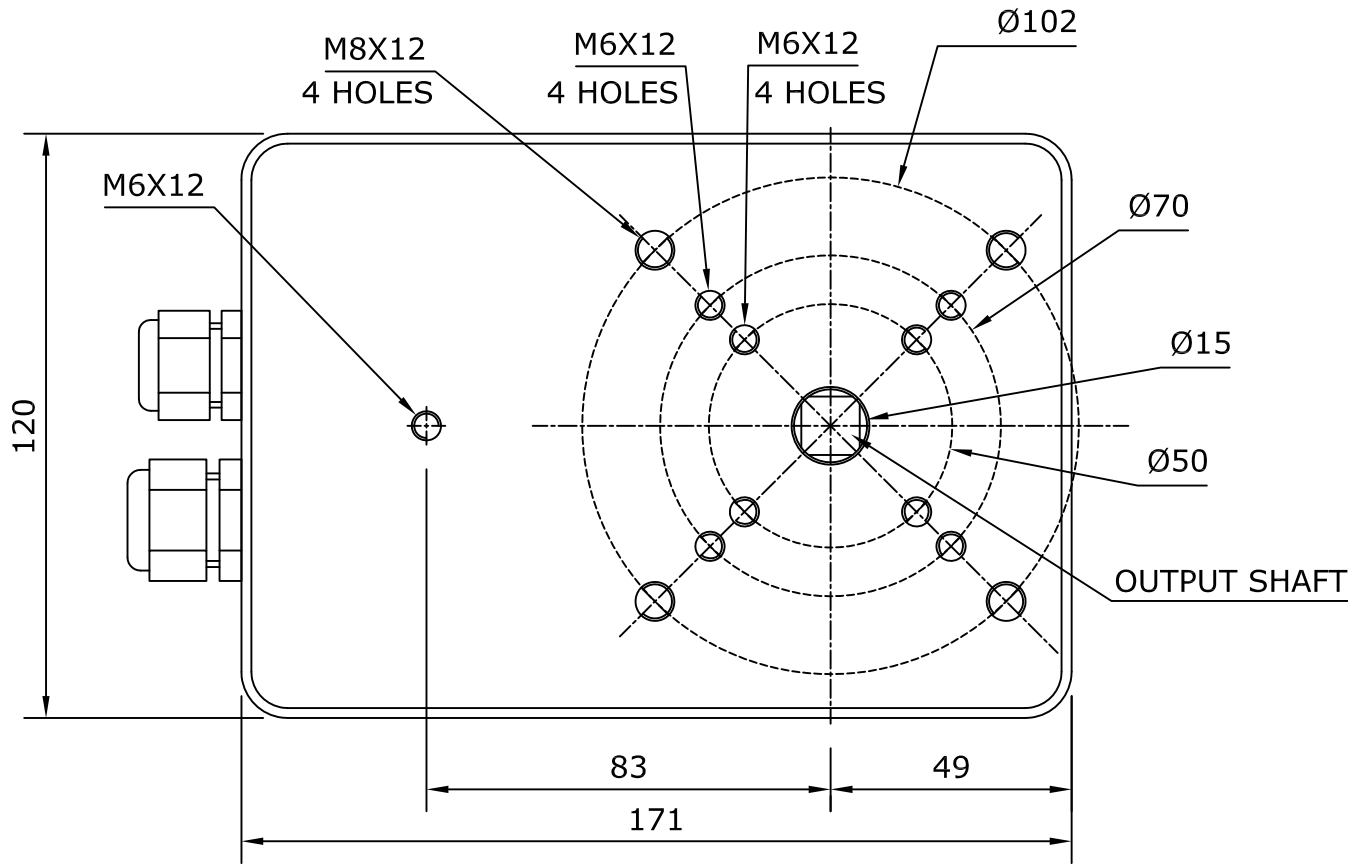


**BILL OF MATERIAL**

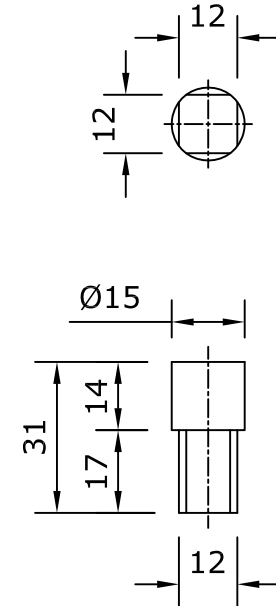
SR.NO	ITEM	MATERIAL
1	BASE BODY	ZnAL27Cu2
2	COVER	REYNITE-PET
3	OUTPUT SHAFT	AISI 410
4	CABLE GLAND	PVC

NR		NEW RELEASE		
MOD.NO.	REF.	MODIFICATION		DATE
MATERIAL :		CLASSIFICATION OF CHARACTERISTICS		DRN.
TREATMENT :		CRITICAL.....● KEY INSTRUCTION.....▲ MAJOR.....● MINOR.....NONE		ROHAN
* THIS DRAWING IS THE PROPERTY OF M/s. PEREGRINE TECHNOLOGINES PVT. LTD. & MUST BE RETURNED ON REQUEST. THIS IS FURNISHED AS CONFIDENTIAL INFORMATION & MUST NOT BE USED/COPIED OR LENT ANY PURPOSE WITHOUT OUR AUTHORITY IN WRITING.		DO NOT SCALE THE DWG.	IF IN DOUBT ASK	21-2-14
TITLE:		ALL DIMENSIONS ARE IN MM		CHD.
GENERAL ASSEMBLY DRAWING OF ERQT 30XX (ERQT 3030 / 3060).		QTY. -		SBS
MODEL:		SCALE :		21-2-14
Peregrine TECHNOLOGIES PVT. LTD.				
		DRG.No.		
		144050E2240181(X1)		
		SIZE	A4	MOD.NO.
				NR

### MOUNTING DETAILS



### OUTPUT SHAFT DETAILS



NR		NEW RELEASE		
MOD.NO.	REF.	MODIFICATION		DATE
MATERIAL :		CLASSIFICATION OF CHARACTERISTICS		DRN.
TREATMENT :		CRITICAL.....● KEY INSTRUCTION.....▲ MAJOR.....● MINOR.....NONE		CHD.
		DO NOT SCALE THE DWG. IF IN DOUBT ASK		APPD.
* THIS DRAWING IS THE PROPERTY OF M/s. PEREGRINE TECHNOLOGINES PVT. LTD. & MUST BE RETURNED ON REQUEST. THIS IS FURNISHED AS CONFIDENTIAL INFORMATION & MUST NOT BE USED/COPIED OR LENT ANY PURPOSE WITHOUT OUR AUTHORITY IN WRITING.		ALL DIMENSIONS ARE IN MM QTY. - WT.(kg)-		
TITLE: <b>GENERAL ASSEMBLY DRAWING OF ERQT 30XX (ERQT 3030 / 3060).</b>		SCALE :		
		DRG.No. 144050E2240181(X2)		
MODEL:		SIZE	A4	MOD.NO. NR